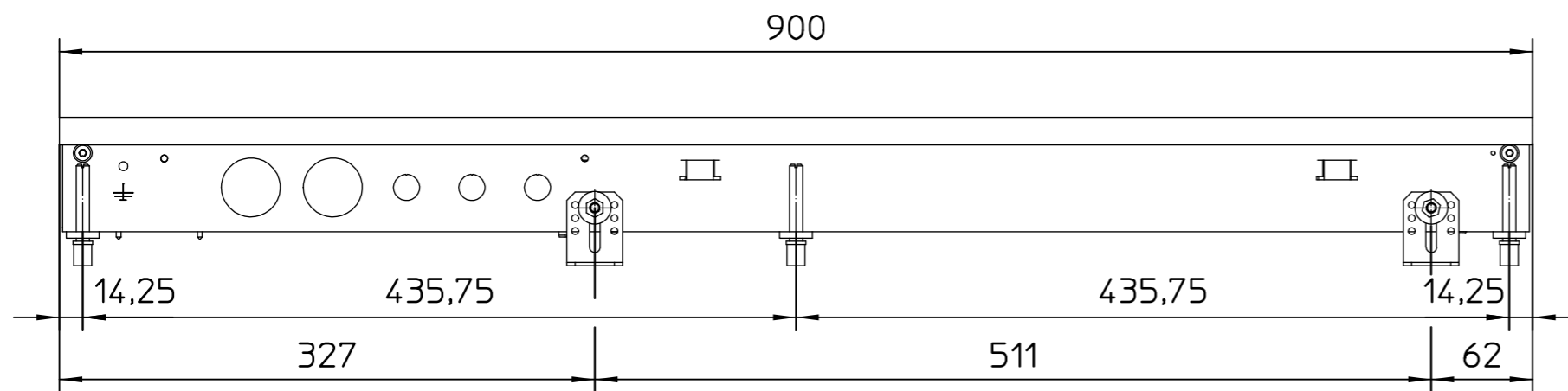
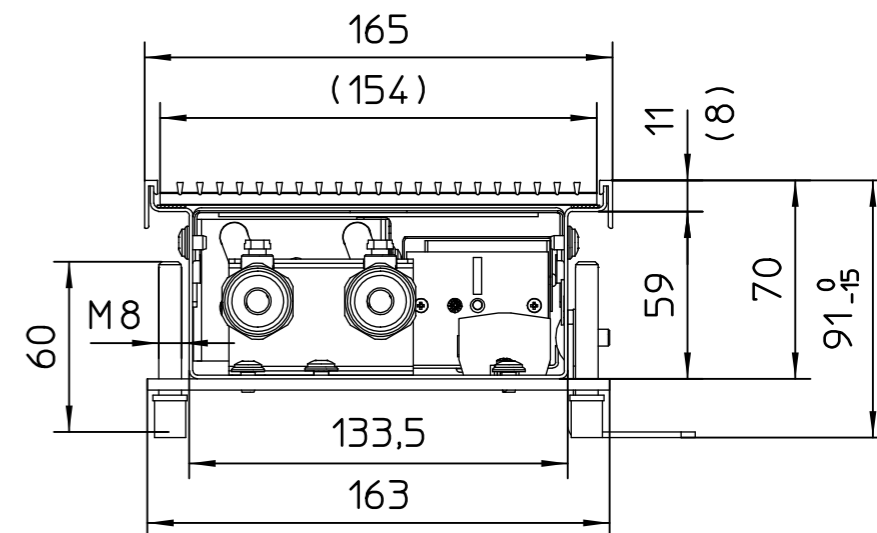


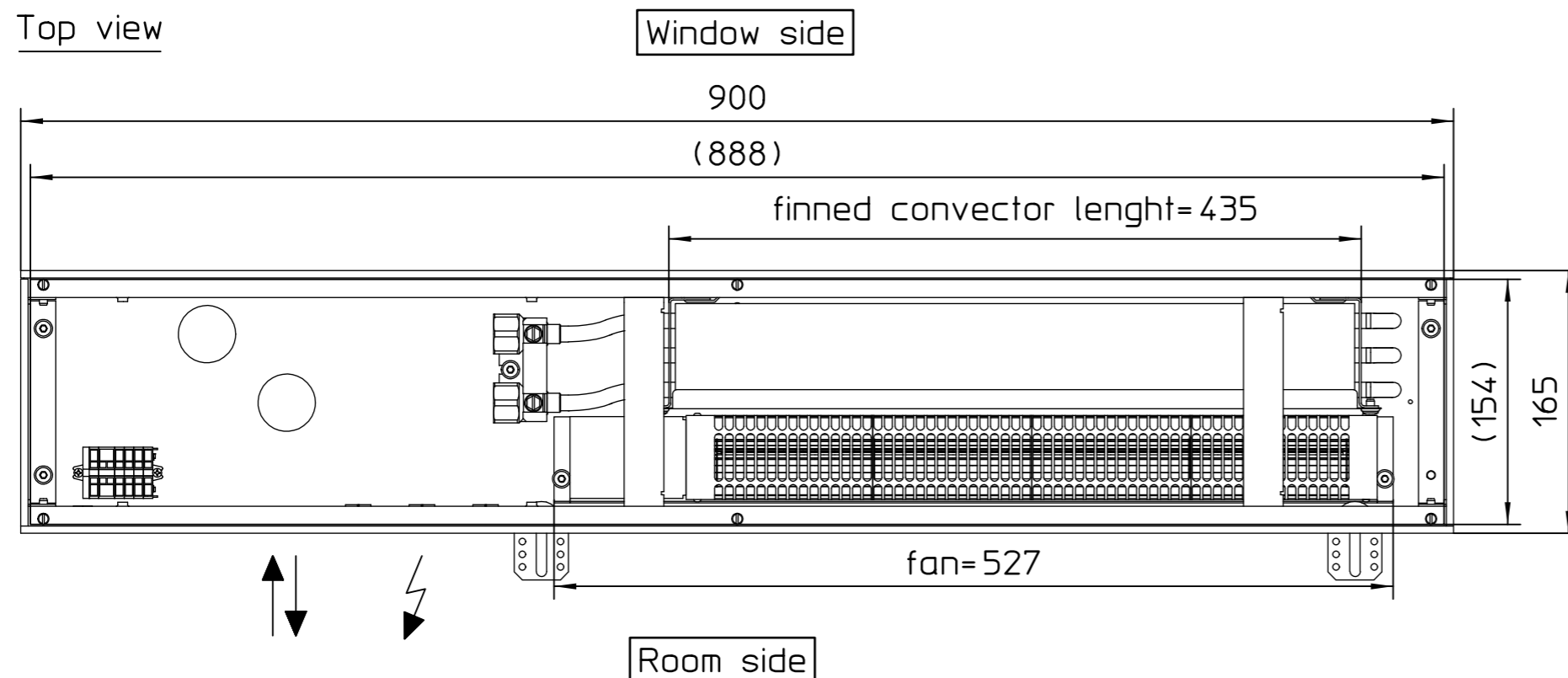
Front view



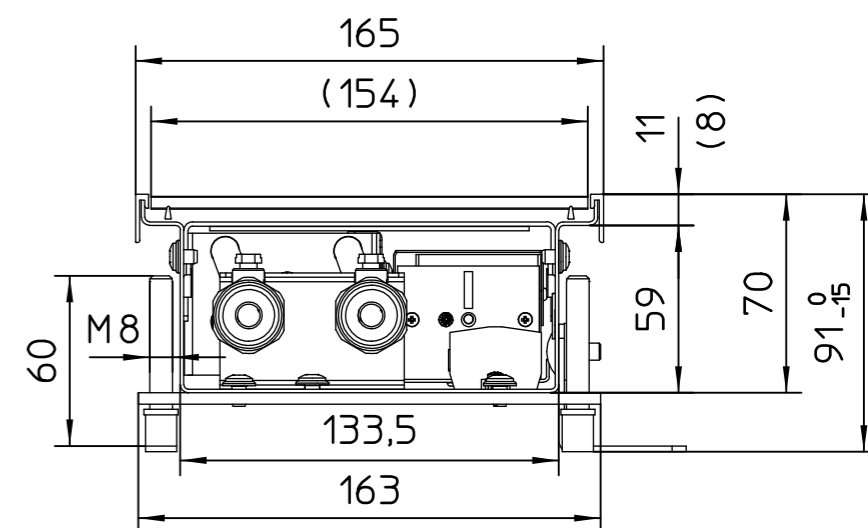
Cross section with linear-grille



Top view



Cross section with orthogonal-grille



Please mark:

Type linear-grille

Type orthogonal-grille

IMPORTANT:

Height to be checked on site!

- ↕ Holes for water connections
- ⚡ Electric connection/Cable inlet

Dimensions = Overall frame dimensions
 Dimensions in brackets = Grill dimensions

Drawing approved for manufacture
 Dimensions have been changed

Date _____ Stamp/Signature _____

1/2" female BSP

Anzahl	Stammteil-Nr.		Index		Änderung		Name		Datum	
	Stammteil-Nr.		Index		Änderung		Name		Datum	
	Stammteil-Nr.		Index		Änderung		Name		Datum	
Projekt-Nr.	Erst.		Format		Art-Gr.		SAP-Nr.		CAD-Nr.	
Auftr-Nr.	Änder.		3		442				697413	
STL-Nr.	Gepr.		Werkstoff		Nr.				Zul.Abw. ISO 2768-m	
	Freig.		M		Abm.				Revision	
									1	
									Bl.	



49794 Lingen Tel. 0591-7108-0

View Katherm QK nano
 W=165mm, H=070mm NP0900mm UL
 Katherm QK nano UL