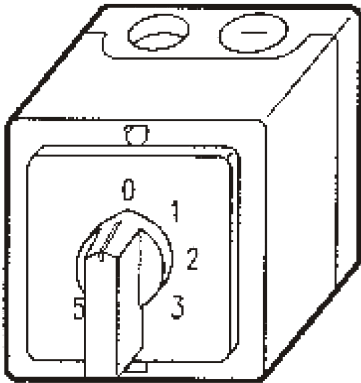


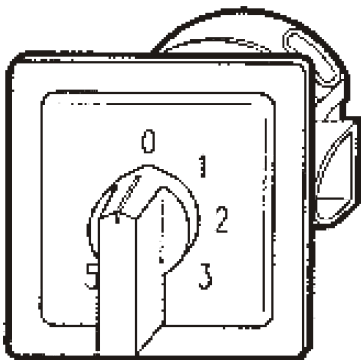
## 5-Stage switch

- Type 100925 (surface-mounted)
- Type 100926 (flush-mounted)

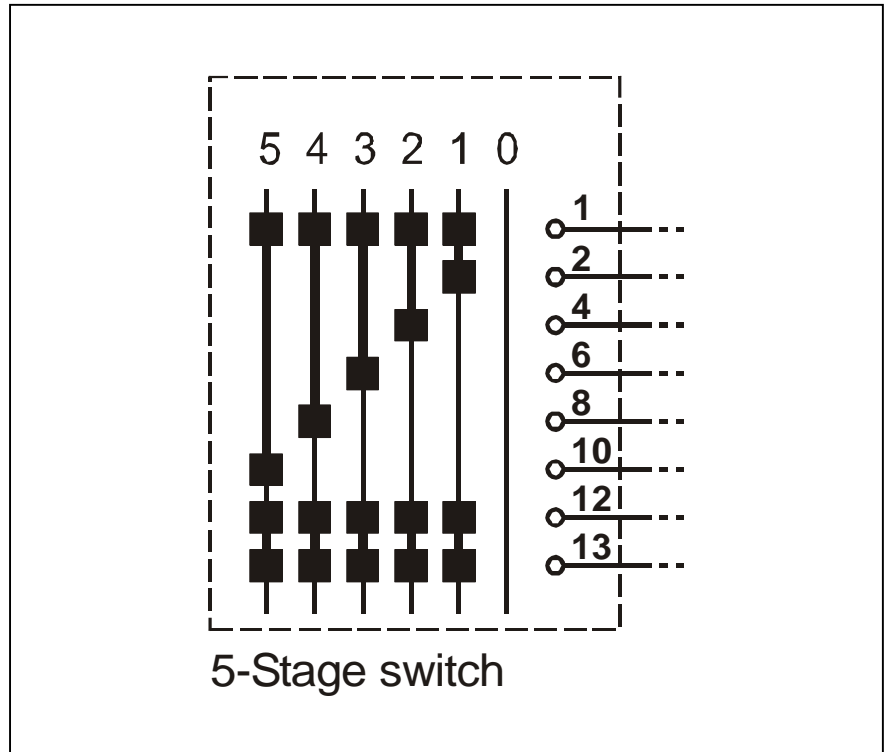
### Wiring diagram



Type 100925,  
surface-mounted



Type 100926,  
flush-mounted



5-Stage switch

### Operation

Switch position	Terminals connected	
"0"	---	---
"1"	1 - 2	12 - 13
"2"	1 - 4	12 - 13
"3"	1 - 6	12 - 13
"4"	1 - 8	12 - 13
"5"	1 - 10	12 - 13

### Technical data

Type	100925 (surface-mounted)	100926 (flush-mounted)
Protection	IP55	---
Switching capacity	15 A	15 A
Dimensions (HxWxD)	82 x 82 x 125 mm	82 x 82 x 24 mm

\*Height